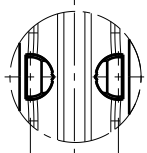
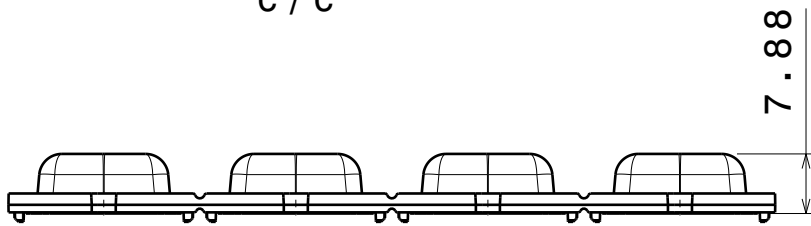
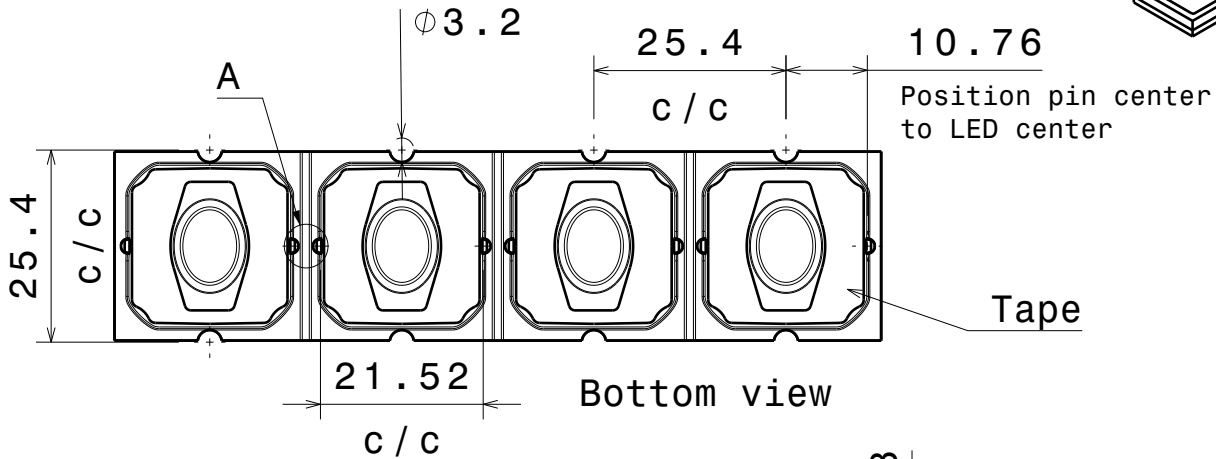
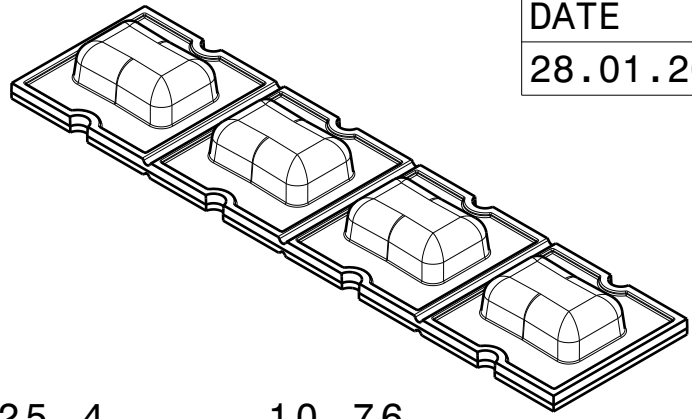


DATE
28.01.2022

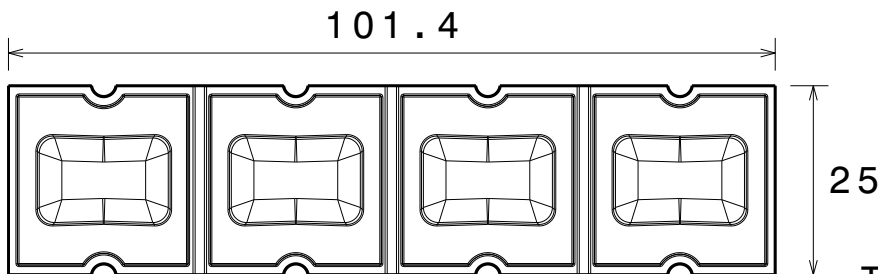


3.88

Detail A



2.65



PART	TYPE	MATERIAL	COLOR
C14128_TATIANA-1X4-B	lens	PMMA	clear
C14228_ROSE-TAPE2-1X4	tape	Acrylic foam	

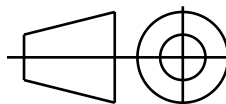
MECHANICAL DRAWING

PRODUCT
CA14129_TATIANA-1X4-B

LEDiL

Plastic moulding general tolerances according to DIN 16901-130 and applies if not otherwise shown in the drawing. Silicone moulding general tolerances according to ISO 3302-1 Class M3 and applies if not otherwise shown in the drawing.

FIRST ANGLE PROJECTION:



This drawing is the property of LEDiL Oy. It may not be copied or otherwise distributed without prior written permission from LEDiL Oy.

SCALE 1:1

WEIGHT 8,8g

A4 SHEET 1/1

D

A